

**ebm-papst St. Georgen GmbH & Co. KG**

Hermann-Papst-Str. 1

D-78112 St. Georgen

Phone +49 (0) 7724 81-0

Fax +49 (0) 7724 81-1309

info2@de.ebmpapst.com

www.ebmpapst.com

**Nominal data**

| Type                     | 4412 ML           |         |
|--------------------------|-------------------|---------|
| Nominal voltage          | VDC               | 12      |
| Nominal voltage range    | VDC               | 7 .. 15 |
| Speed                    | min <sup>-1</sup> | 3000    |
| Power input              | W                 | 3.0     |
| Min. ambient temperature | °C                | -20     |
| Max. ambient temperature | °C                | 80      |
| Air flow                 | m <sup>3</sup> /h | 168     |
| Sound power level        | B                 | 5.1     |
| Sound pressure level     | dB(A)             | 40      |

ml = Max. load · me = Max. efficiency · fa = Running at free air · cs = Customer specs · cu = Customer unit  
Subject to alterations

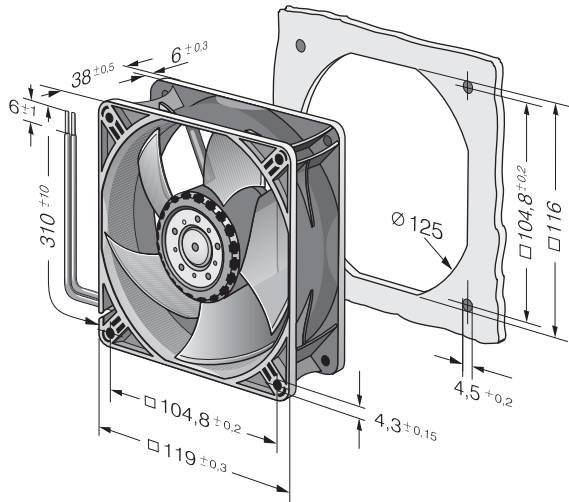


**Technical features**

|  |                                     |
|--|-------------------------------------|
| <b>Housing material</b>                    | Fibreglass-reinforced plastic (PBT) |
| <b>Impeller material</b>                   | Fibreglass-reinforced plastic (PA)  |
| <b>Mass</b>                                | 0.270 kg                            |
| <b>Dimensions</b>                          | 119 x 119 x 38 mm                   |
| <b>Direction of air flow</b>               | Air exhaust over bars               |
| <b>Direction of rotation</b>               | Clockwise, looking at rotor         |
| <b>Bearing</b>                             | Ball bearing                        |
| <b>Lifetime L10 at 40 °C</b>               | 67500 h                             |
| <b>Lifetime L10 at maximum temperature</b> | 22500 h                             |
| <b>Connection line</b>                     | With single strands AWG 24, TR 64   |



## Product drawing



## Charts

