

**ebm-papst St. Georgen GmbH & Co. KG**

Hermann-Papst-Str. 1
 D-78112 St. Georgen
 Phone +49 (0) 7724 81-0
 Fax +49 (0) 7724 81-1309
 info2@de.ebmpapst.com
 www.ebmpapst.com

Nominal data

Type	DV 6318/2TDH5P	
Phase		3~
Nominal voltage	VDC	48
Nominal voltage range	VDC	36 .. 72
Speed	min ⁻¹	6800
Power input	W	390
Min. ambient temperature	°C	-20
Max. ambient temperature	°C	+65
Air flow	m ³ /h	1100
Sound power level	B	9.2

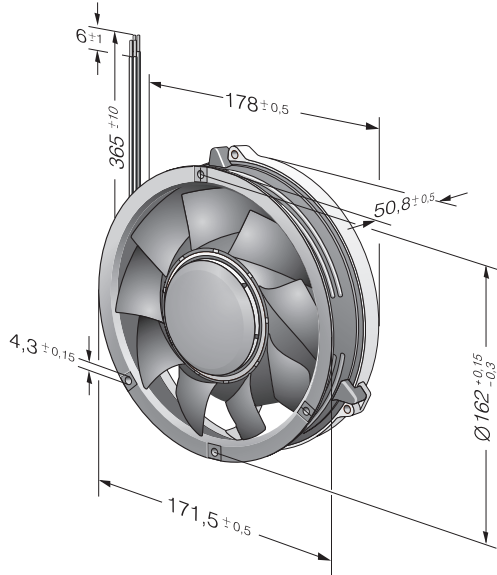
ml = max. load · me = max. efficiency · fa = running at free air · cs = customer specs · cu = customer unit
 Subject to alterations

Technical features

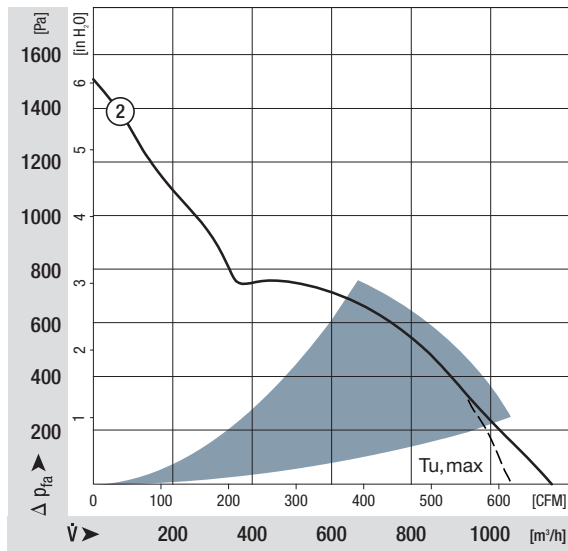
General description	Very smooth running 3-phase fan drive. Very rigid compression curve for high air flow at high counterpressure. Lower operating noise level at high counterpressure. Standard with PWM control input and speed signal. Other inputs and outputs on request.
Mass	0.96 kg
Dimensions	172 x 51 mm
Housing material	Die-cast aluminium
Part no.	DV 6318/2TDH5P
Type of protection	IP 54
Connection line	AWG 18, UL3266 AWG 22, UL1061 bared and tin-plated



Product drawing



Charts





element14

EN - For pricing and availability in your local country please visit one of the below links:

DE - Informationen zu Preisen und Verfügbarkeit in Ihrem Land erhalten Sie über die unten aufgeführten Links:

FR - Pour connaître les tarifs et la disponibilité dans votre pays, cliquez sur l'un des liens suivants:

[DV6318/2TDH5P](#)

EN

This Datasheet is presented by
the manufacturer

DE

Dieses Datenblatt wird vom
Hersteller bereitgestellt

FR

Cette fiche technique est
présentée par le fabricant