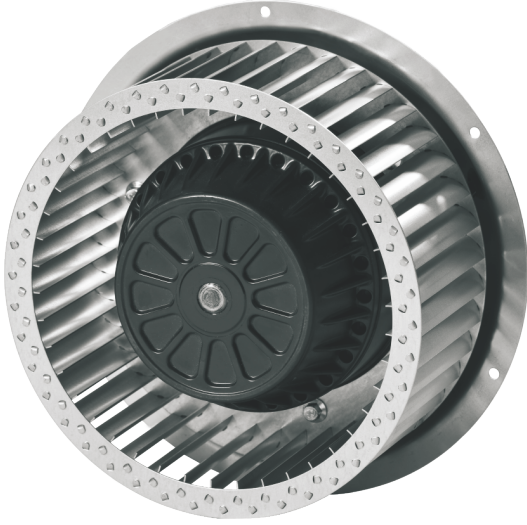


Model:YWF(K)4D355-GQ

Fan type:AC Forward curved centrifugal fan



Manufactory:Zhejiang MingZhen Electric & Electronic Co., Ltd.

ADD:The Central Industry Zone, Chengnan Town, WenLing City, Zhejiang Province, China

TEL:0086-576-86268888

FAX:0086-576-86268020

Mail:info1@cnsanmu.com

WEB:http://www.cnsanmu.com

Fan Introduction

This product consist of outer rotor(AC)motor, forward curved centrifugal impeller, with features of compact structure, small volume, light weight, convenient installation etc..

Scope of application

General purpose fan, can be widely used in purification of air conditioning systems, ventilation duct dust, environmental protection, refrigeration equipment and other fields.

Environmental requirements

- Operating ambient temperature range:-25℃~+55℃
- Working environment humidity range:≤90%
- Transportation and storage temperature range:-40℃~+80℃
- Transportation and storage environment humidity range:≤80%
- The storage place is well ventilated, corrosive gases not contained.

Model:YWF(K)4D355-GQ

Fan type:AC Forward curved centrifugal fan

Design, manufacturing, testing standards and certification

- JB-T10563 Technical specification for general purposes centrifugal fans
- GB/T 14711 General safety requirements for Medium and small rotary motor
- GB/T 755/IEC60034-1 rotary motor quota and performance
- GB 4706.32-2012/IEC 60335-2-40:2005 Household and similar electrical appliances - Safety - Part 2-40: Particular requirements for electrical heat pumps, air-conditioners and dehumidifiers
- The level of balance is in accordance with ISO 1940, G6.3
- Vibration testing and velocity is performed according to JB/T8689.
- This product is certified by China CCC and EU CE
- ISO 9001 quality system certification

Technical features

Mass	26 kg
Size	φ355 mm
Impeller material	Galvanised sheet steel
Rotation	Counter-clockwise(Seen from cable exit)
Protection class	IP54
Insulation class	F
Mounting	Shaft horizontal or rotor on bottom; rotor on top on request
Mode of operation	S1(Continuous operation)
Bearings	Maintenance-free ball bearings
Thermal protector	Can be built in or out of line according to requirements

Structures

Inlet type	Single Inlet
Impeller type	Forward curved impeller
Housing	Without housing; With inlet ring;

Technical parameters

Supply	3P,200~240/380~440V △/Y
Frequency	50 Hz

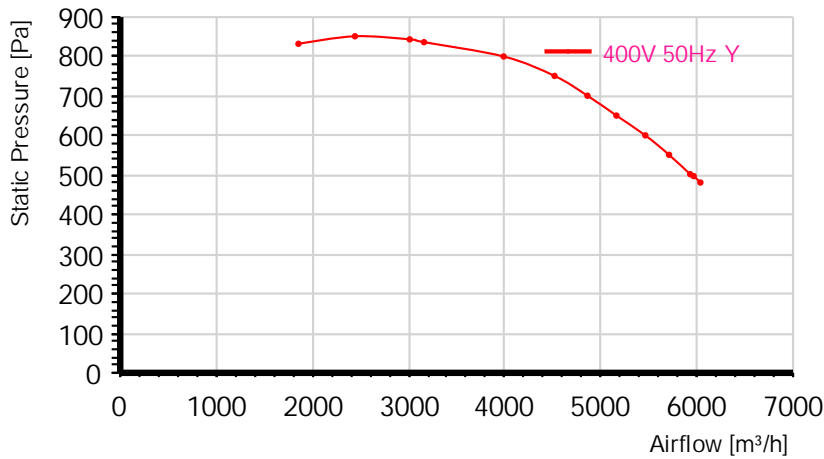
Model: YWF(K)4D355-GQ

Fan type: AC Forward curved centrifugal fan

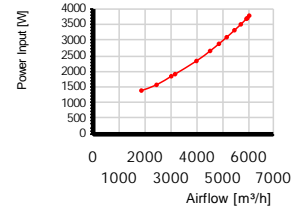
Motor poles	4
Rated voltage	230/400 VAC
Power input	3500 W
Rated current	10.2/5.9 A
Rated speed	1340 r/min
Max airflow	6000 m ³ /h (Static pressure=500Pa)
Acoustic	92 dB(A) measured at 1.0m from inlet side

Performance curve

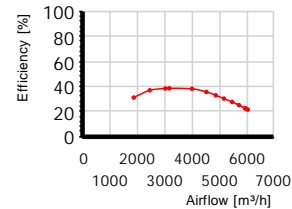
Airflow curve



Power input curve



Efficiency on total pressure



Performance test with reference to GB/T 1236-2017, equivalent to ISO 5801

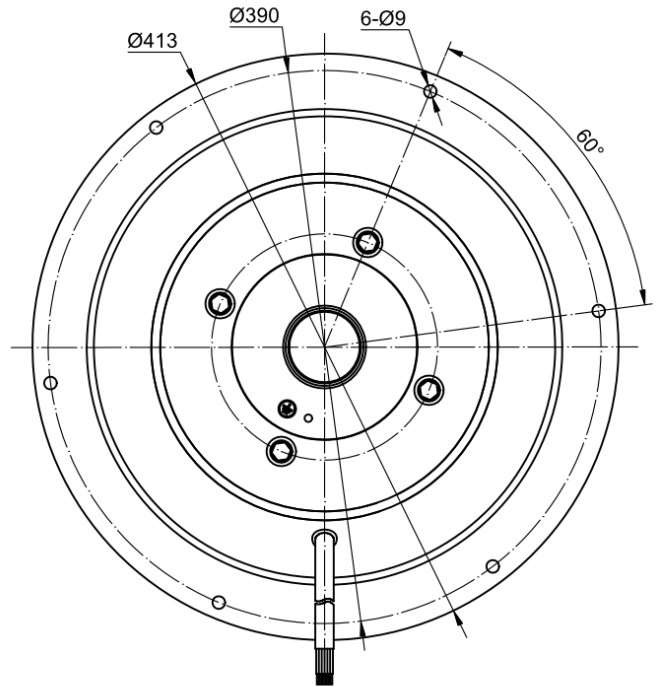
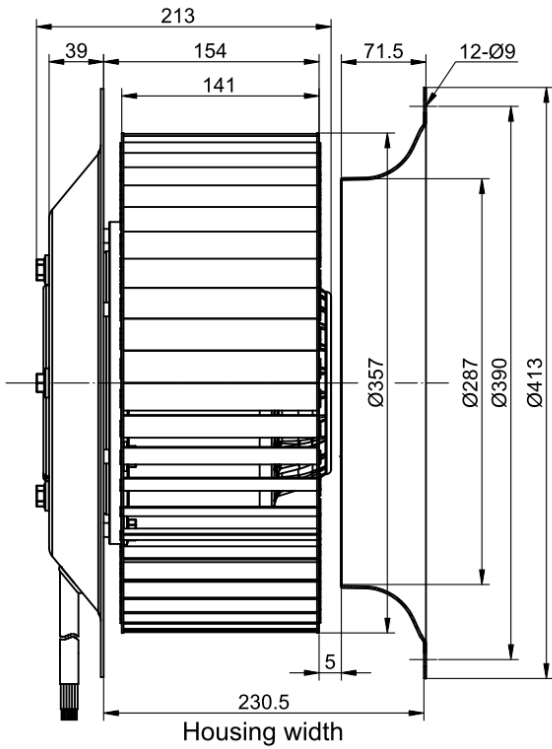
TestID	2012091502		Connection	Y						
Test environment										
Outlet size	Outlet area	Temperature	Humidity	Baropressure	Density					
355mm	0.099m ²	25°C	69%	101.7kPa	1.2kg/m ³					
Test data										
Voltage	Frequency	Speed	Power input	Current	Airflow	Static pressure	Dynamic pressure	Total pressure	Pressure Differenc	Nozzle Size
V	Hz	r/min	W	A	m ³ /h	Pa	Pa	Pa	Pa	mm
400.5	50	1452	1382	3.2	1854	831	16	847	521	150+189*0
402.4	50	1445	1566	3.41	2442	850	28	878	358	+189*1
400.1	50	1433	1841	3.66	3012	842	42	884	206	150+189*1
400.4	50	1429	1910	3.75	3161	835	46	882	227	150+189*1
399.8	50	1409	2330	4.24	3990	799	74	873	361	150+189*1
399.3	50	1398	2652	4.65	4519	750	95	845	462	150+189*1

Model: YWF(K)4D355-GQ

Fan type: AC Forward curved centrifugal fan

398.5	50	1385	2880	4.94	4862	700	110	810	206	150+189*2
399.2	50	1373	3091	5.23	5162	650	124	774	232	150+189*2
399.9	50	1364	3315	5.55	5463	600	138	739	260	150+189*2
401.6	50	1357	3504	5.81	5711	551	151	702	284	150+189*2
401.2	50	1347	3682	6.06	5931	502	163	665	306	150+189*2
400.6	50	1345	3705	6.11	5967	497	165	662	310	150+189*2
401.1	50	1341	3782	6.2	6037	481	169	650	317	150+189*2

Dimensions(in mm)

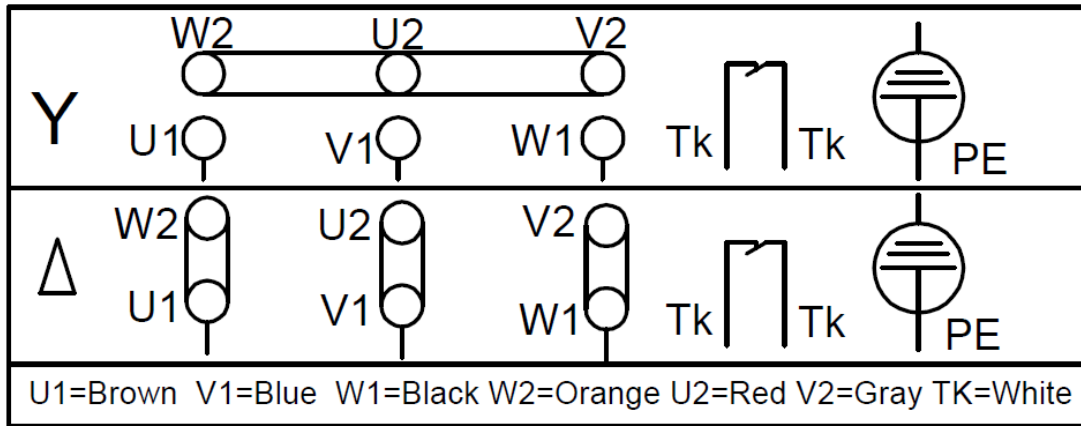


Model:YWF(K)4D355-GQ

Fan type:AC Forward curved centrifugal fan

Wiring diagram

WIRING DIAGRAM



Attentions

- ★Please check the appearance and the accessories if there is no damage before use, check the model is consistent with requirements;
- ★Keep reliable grounding according to the wiring diagram. to avoid motor burning and personal accident, please check wiring is loose or fall off;
- ★For AC fans powered by three-phase supply, please confirm the power connection phase sequence before use to ensure that the motor rotation direction is consistent with the marked rotation direction (the motor rotation direction can be changed by reversing any two-phase phase sequence of the power supply);
- ★Before connect the power supply, check whether the motor is reliable, otherwise it will cause motor damage and personal injury;
- ★It is forbidden to pull the power cable, if the power cable is damaged, to be repaired before use, to avoid the accident of electric shock;
- ★Drop or impact motor is forbidden;
- ★Washing motor with water is prohibited, it will reduce the motor insulation level, even lead to electric leakage even endanger personal safety;
- ★Special customized product is designed for specified requirements, please consult with our engineers before change usage;

Model:YWF(K)4D355-GQ

Fan type:AC Forward curved centrifugal fan

- ★The temperature of the motor shell may be higher in a short time after the fan stopped, Please avoid direct contact with the motor surface. If necessary, please take protective measures to prevent scald;
- ★Do not contact the impeller when the fan running, you need to wait for all the parts stopped before operate it;
- ★When the fan is installed, check and ensure there is no debris in the shell and other shell body, keep the fan clean;
- ★After the fan installation complete, before connected to supply, please confirm that there is no collision or interference or stuck.

Product life and maintenance, warranty

- The design life of this product is 40,000 hours. This data is derived from the expected life of L10 for general ball bearings at 40℃ is 40,000 hours. The actual service life of the product is affected by the use environment (temperature, humidity, installation, bearing load, etc.).
- According to the use of the environment, please make a clean maintenance every 3~6 months.
- From the date of purchase (order delivery date), The warranty period is one year. During this period, for failure due to the quality of the product itself, we provide free replacement or repairing. If the damage caused by improper disassembly, transportation, artificial damage or natural disasters, etc., is not in the scope of this warranty;