

Model:YWF(K)4D500-ZX06N-S6A

Fan type:AC Axial fan



Manufactory:Zhejiang MingZhen Electric & Electronic Co., Ltd.

ADD:The Central Industry Zone, Chengnan Town, WenLing City, Zhejiang Province, China

TEL:0086-576-86268888

FAX:0086-576-86268020

Mail:info1@cnsanmu.com

WEB:http://www.cnsanmu.com

Fan Introduction

This product consist of outer rotor(AC)motor, axial impeller, with features of compact structure, convenient installation, reliable operation, low noise, energy saving etc..

Scope of application

General purpose fan, can be widely used in purification of air conditioning systems, ventilation duct dust, environmental protection, refrigeration equipment and other fields.

Environmental requirements

- Operating ambient temperature range:-35℃~+65℃
- Working environment humidity range:≤90%
- Transportation and storage temperature range:-40℃~+80℃
- Transportation and storage environment humidity range:≤80%
- The storage place is well ventilated, corrosive gases not contained.

Model:YWF(K)4D500-ZX06N-S6A

Fan type:AC Axial fan

Design, manufacturing, testing standards and certification

- JB-T10562 Technical specification for general purposes axial fans
- GB/T 14711 General safety requirements for Medium and small rotary motor
- GB/T 755/IEC60034-1 rotary motor quota and performance
- GB 4706.32-2012/IEC 60335-2-40:2005 Household and similar electrical appliances - Safety - Part 2-40: Particular requirements for electrical heat pumps, air-conditioners and dehumidifiers
- The level of balance is in accordance with ISO 1940, G6.3
- Vibration testing and velocity is performed according to JB/T8689.
- This product is certified by China CCC and EU CE
- ISO 9001 quality system certification

Technical features

Mass	11 kg
Size	φ500 mm
Impeller material	cold rolled sheet steel
Direction	Suction(Seen from cable exit)
Protection class	IP54
Insulation class	F
Mounting	Shaft horizontal or rotor on bottom; rotor on top on request
Mode of operation	S1(Continuous operation)
Bearings	Maintenance-free ball bearings
Thermal protector	Can be built in or out of line according to requirements

Structures

Blades count	6
Impeller type	Conventional welding blade
Attachment	Hight Concave Guard Grille

Technical parameters

Supply	3P,360~440V
Frequency	50 Hz

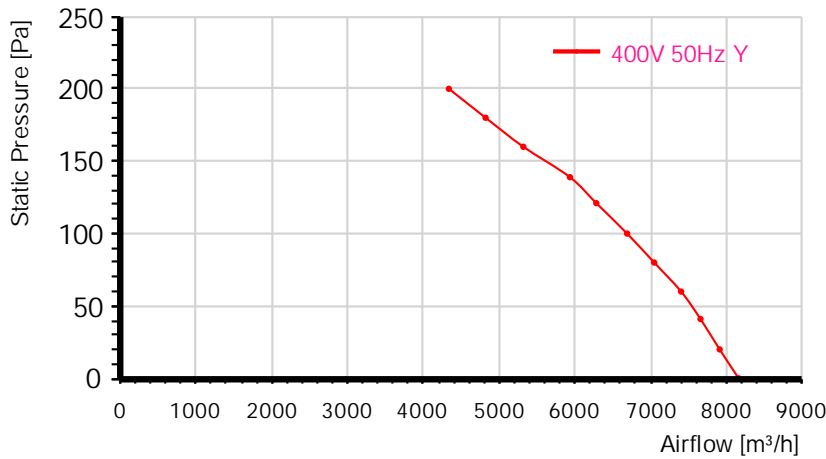
Model:YWF(K)4D500-ZX06N-S6A

Fan type:AC Axial fan

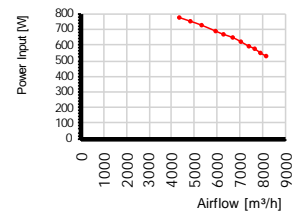
Motor poles	4
Rated voltage	380 VAC
Power input	670 W
Rated current	1.6 A
Rated speed	1410 r/min
Max airflow	8200 m ³ /h (Static pressure=0Pa)
Acoustic	78 dB(A) measured at 1.0m from inlet side
ErP level	2015

Performance curve

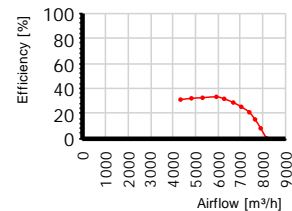
Airflow curve



Power input curve



Efficiency on static pressure



Performance test with reference to GB/T 1236-2017, equivalent to ISO 5801

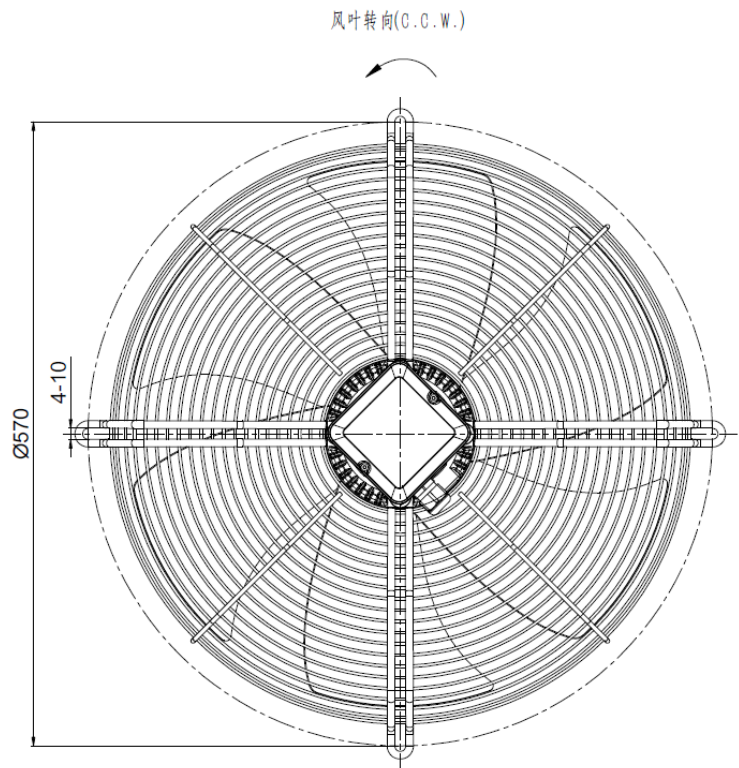
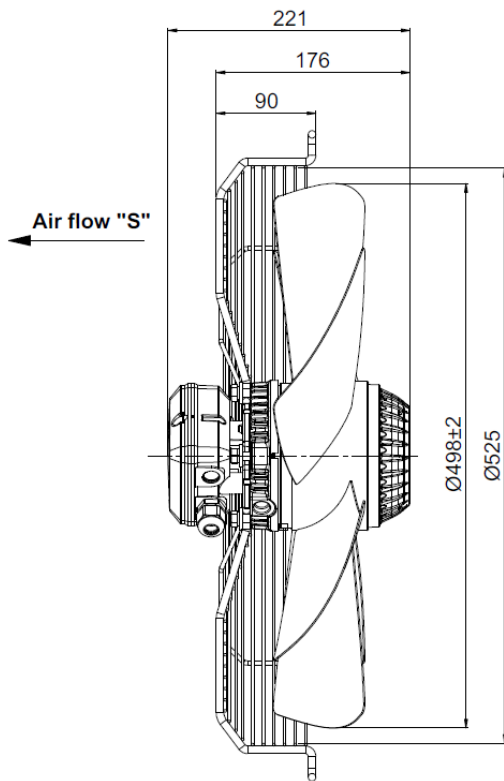
TestID	2015020312		Connection	Y						
Test environment										
Outlet size	Outlet area	Temperature	Humidity	Baropressure	Density					
504mm	0.1995m ²	9°C	83%	101kPa	1.2kg/m ³					
Test data										
Voltage	Frequency	Speed	Power input	Current	Airflow	Static pressure	Dynamic pressure	Total pressure	Pressure Differenc	Nozzle Size
V	Hz	r/min	W	A	m ³ /h	Pa	Pa	Pa	Pa	mm
399.7	50	1390	777	1.66	4336	200	23	223	442	150+189*1
401	50	1395	753	1.64	4821	180	28	208	211	150+189*2
400.5	50	1401	728	1.61	5318	160	34	194	256	150+189*2
398.9	50	1407	690	1.57	5934	139	42	182	318	150+189*2
399.5	50	1415	669	1.55	6282	121	47	168	357	150+189*2

Model:YWF(K)4D500-ZX06N-S6A

Fan type:AC Axial fan

400.7	50	1412	649	1.54	6689	100	54	154	404	150+189*2
400.8	50	1420	622	1.51	7045	80	60	140	448	150+189*2
400.4	50	1424	593	1.49	7400	60	66	125	494	150+189*2
400.6	50	1425	577	1.47	7657	41	70	111	529	150+189*2
400.3	50	1428	550	1.45	7909	20	75	95	564	150+189*2
398.9	50	1433	530	1.43	8161	0	80	81	601	150+189*2

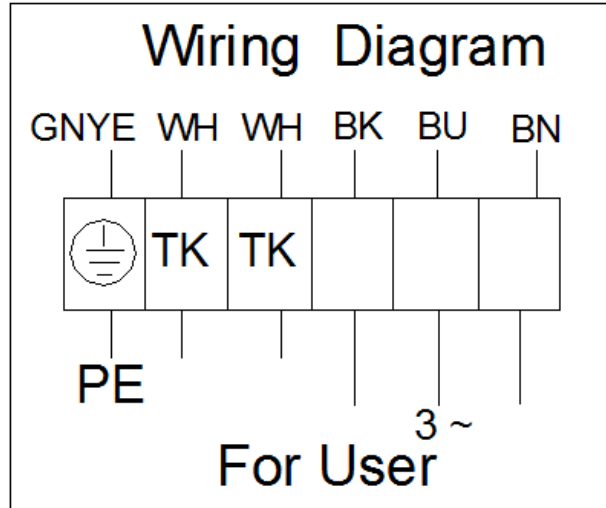
Dimensions(in mm)



Model:YWF(K)4D500-ZX06N-S6A

Fan type:AC Axial fan

Wiring diagram



Attentions

- ★Please check the appearance and the accessories if there is no damage before use, check the model is consistent with requirements;
- ★Keep reliable grounding according to the wiring diagram. to avoid motor burning and personal accident, please check wiring is loose or fall off;
- ★For AC fans powered by three-phase supply, please confirm the power connection phase sequence before use to ensure that the motor rotation direction is consistent with the marked rotation direction (the motor rotation direction can be changed by reversing any two-phase phase sequence of the power supply);
- ★Before connect the power supply, check whether the motor is reliable, otherwise it will cause motor damage and personal injury;
- ★It is forbidden to pull the power cable, if the power cable is damaged, to be repaired before use, to avoid the accident of electric shock;
- ★Drop or impact motor is forbidden;
- ★Washing motor with water is prohibited, it will reduce the motor insulation level, even lead to electric leakage even endanger personal safety;
- ★Special customized product is designed for specified requirements, please consult with our engineers before change usage;

Model:YWF(K)4D500-ZX06N-S6A

Fan type:AC Axial fan

- ★The temperature of the motor shell may be higher in a short time after the fan stopped, Please avoid direct contact with the motor surface. If necessary, please take protective measures to prevent scald;
- ★Do not contact the impeller when the fan running, you need to wait for all the parts stopped before operate it;
- ★When the fan is installed, check and ensure there is no debris in the shell and other shell body, keep the fan clean;
- ★After the fan installation complete, before connected to supply, please confirm that there is no collision or interference or stuck.

Product life and maintenance, warranty

- The design life of this product is 40,000 hours. This data is derived from the expected life of L10 for general ball bearings at 40℃ is 40,000 hours. The actual service life of the product is affected by the use environment (temperature, humidity, installation, bearing load, etc.).
- According to the use of the environment, please make a clean maintenance every 3~6 months.
- From the date of purchase (order delivery date), The warranty period is one year. During this period, for failure due to the quality of the product itself, we provide free replacement or repairing. If the damage caused by improper disassembly, transportation, artificial damage or natural disasters, etc., is not in the scope of this warranty;