

**ebm-papst St. Georgen GmbH & Co. KG**

Hermann-Papst-Str. 1

D-78112 St. Georgen

Phone +49 (0) 7724 81-0

Fax +49 (0) 7724 81-1309

info2@de.ebmpapst.com

www.ebmpapst.com

Nominal data

Type	3314 NH3P	
Nominal voltage	V	24
Nominal voltage range	V	14 .. 26,4
Speed (rpm)	min ⁻¹	4350
Power consumption	W	5.7
Min. ambient temperature	°C	-20
Max. ambient temperature	°C	80
Air flow	m ³ /h	133
Sound power level	B	6.0
Sound pressure level	dB(A)	50

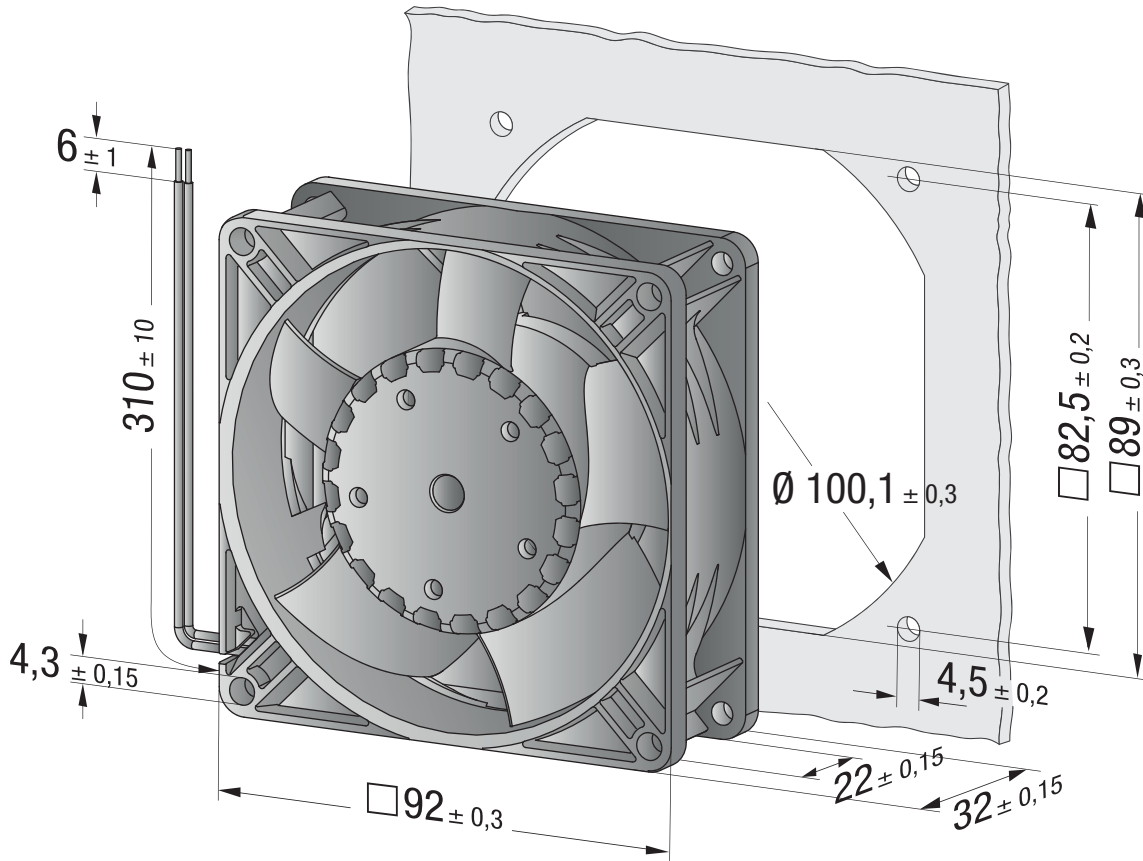
ml = Max. load · me = Max. efficiency · fa = Free air · cs = Customer specification · ce = Customer equipment
Subject to change



Technical description

Weight	0.19 kg
Dimensions	92 x 92 x 32 mm
Impeller material	Glass-fiber reinforced PA plastic
Housing material	Glass-fiber reinforced PBT plastic
Airflow direction	Exhaust over struts
Direction of rotation	Clockwise, viewed toward rotor
Bearing	Ball bearing
Service life L10 at 40 °C	60.000 h
Service life L10 at maximum temperature	20.000 h
Cable	With leads AWG 24 UL 1061, TR 64

Product drawing



Curves

