

**ebm-papst St. Georgen GmbH & Co. KG**

Hermann-Papst-Str. 1

D-78112 St. Georgen

Phone +49 (0) 7724 81-0

Fax +49 (0) 7724 81-1309

info2@de.ebmpapst.com

www.ebmpapst.com

**Nominal data**

Type	634/2 HHPU	
Nominal voltage	VDC	24
Nominal voltage range	VDC	18 .. 28
Current draw	A	58
Max. ambient temperature	°C	70
Air flow	m <sup>3</sup> /h	58
Sound power level	B	6.1
Sound pressure level	dB(A)	44

ml = Max. load · me = Max. efficiency · fa = Free air · cs = Customer specification · ce = Customer equipment  
Subject to change

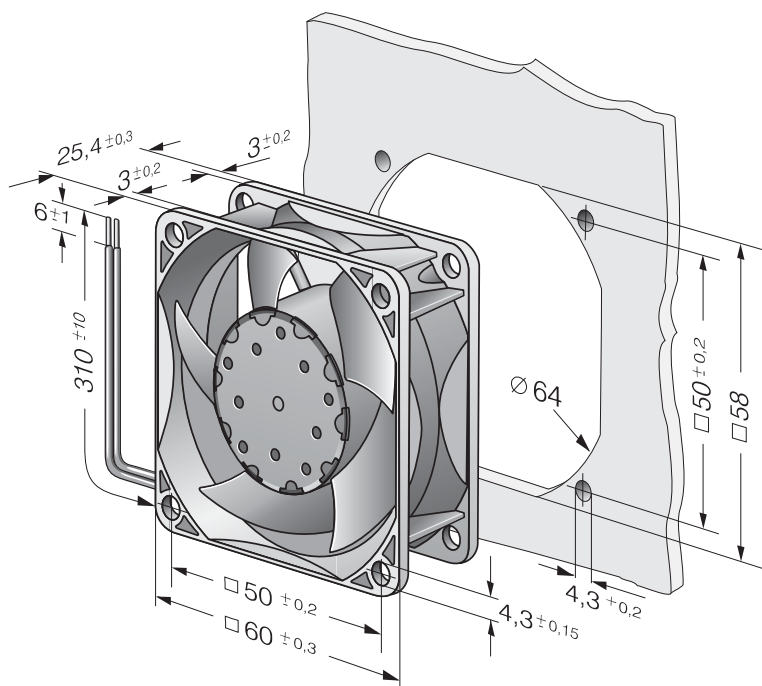


**Technical description**

<b>General description</b>	Developed for applications with high environmental requirements
<b>Weight</b>	0.7 kg
<b>Dimensions</b>	60 x 60 x 25 mm
<b>Airflow direction</b>	Exhaust over struts
<b>Direction of rotation</b>	Clockwise, viewed toward rotor
<b>Storage</b>	Ball bearing
<b>Service life L10 at 40 °C</b>	75000 h
<b>Service life L10 at maximum temperature</b>	37500 h
<b>Cable</b>	With leads AWG 22, TR 64



## Product drawing



Curves

