

**ebm-papst St. Georgen GmbH & Co. KG**

Hermann-Papst-Str. 1

D-78112 St. Georgen

Phone +49 (0) 7724 81-0

Fax +49 (0) 7724 81-1309

info2@de.ebmpapst.com

www.ebmpapst.com

**Nominal data**

Type	RG 140 -22714N/2 TDPU	
Nominal voltage range	VDC	20,4 .. 27,6
Speed (rpm)	min <sup>-1</sup>	2500
Power consumption	W	9.3
Max. ambient temperature	°C	70
Air flow	m <sup>3</sup> /h	118
Sound power level	B	6.0

ml = Max. load · me = Max. efficiency · fa = Free air · cs = Customer specification · ce = Customer equipment  
Subject to change

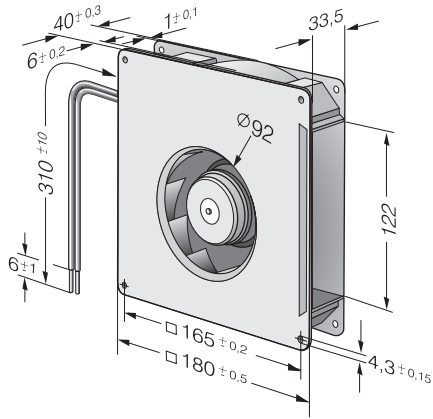


**Technical description**

<b>Weight</b>	0.75 kg
<b>Dimensions</b>	180 x 180 x 40 mm
<b>Airflow direction</b>	Exhaust over struts
<b>Degree of protection</b>	IP54
<b>Service life L10 at 40 °C</b>	62500 h
<b>Service life L10 at maximum temperature</b>	32500 h
<b>Cable</b>	With leads AWG 22, TR 64



Product drawing



Curves

