

RL 65-21/12H

# DC centrifugal compact fan

single-intake



## ebm-papst St. Georgen GmbH & Co. KG

Hermann-Papst-Str. 1

D-78112 St. Georgen

Phone +49 (0) 7724 81-0

Fax +49 (0) 7724 81-1309

info2@de.ebmpapst.com

www.ebmpapst.com

## Nominal data

Type	RL 65-21/12H	
Nominal voltage	VDC	12
Nominal voltage range	VDC	6.8 .. 13.2
Speed (rpm)	min <sup>-1</sup>	4900
Power consumption	W	19.2
Min. ambient temperature	°C	-20
Max. ambient temperature	°C	55
Air flow	m <sup>3</sup> /h	61
Sound power level	B	6.8

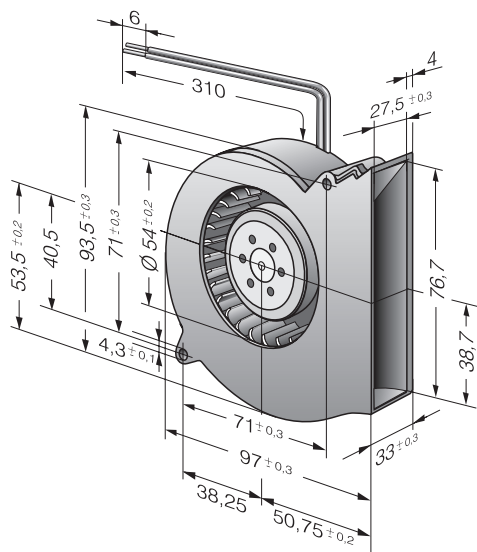
ml = Max. load · me = Max. efficiency · fa = Free air · cs = Customer specification · ce = Customer equipment  
Subject to change



## Technical description

<b>General description</b>	Forward-curved impeller
<b>Weight</b>	0.170 kg
<b>Dimensions</b>	97 x 93.5 x 33 mm
<b>Impeller material</b>	Glass-fiber reinforced plastic
<b>Housing material</b>	Scroll housing made of glass-fiber reinforced plastic.
<b>Airflow direction</b>	Axial intake, radial discharge from outlet.
<b>Storage</b>	Ball bearing
<b>Service life L10 at 40 °C</b>	55000 h
<b>Service life L10 at maximum temperature</b>	40000 h
<b>Cable</b>	With leads AWG 26, TR 64
<b>Motor protection</b>	Protection against reverse polarity and blocked rotor.

Product drawing



**Curves: Air performance**

