



**ebm-papst St. Georgen GmbH & Co. KG**

Hermann-Papst-Str. 1  
 D-78112 St. Georgen  
 Phone +49 (0) 7724 81-0  
 Fax +49 (0) 7724 81-1309  
 info2@de.ebmpapst.com  
 www.ebmpapst.com

## Nominal data

Type	RLF 100-11/12/2HP-200	
Nominal voltage	VDC	12
Nominal voltage range	VDC	10 .. 13.2
Speed (rpm)	min <sup>-1</sup>	6400
Power consumption	W	18.6
Min. ambient temperature	°C	-20
Max. ambient temperature	°C	60
Air flow	m <sup>3</sup> /h	80
Sound power level	B	7.5

ml = Max. load · me = Max. efficiency · fa = Free air · cs = Customer specification · ce = Customer equipment  
 Subject to change

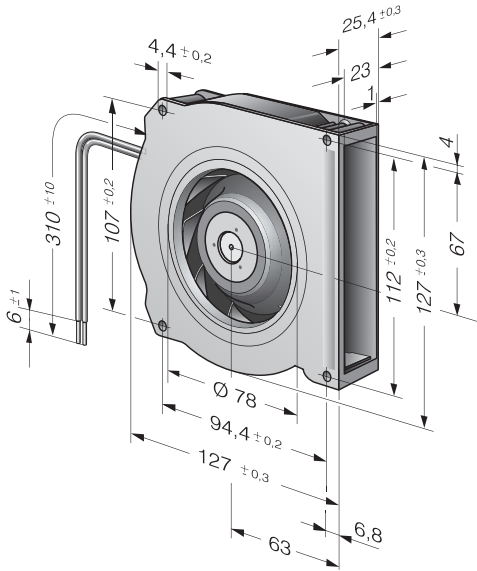


**Technical description**

<b>General description</b>	Optional cap for outlet opening Backward-curved impeller
<b>Weight</b>	0.320 kg
<b>Dimensions</b>	127 x 127 x 25 mm
<b>Impeller material</b>	Glass-fiber reinforced plastic
<b>Housing material</b>	Scroll housing made of glass-fiber reinforced plastic, housing base made of galvanized sheet steel.
<b>Airflow direction</b>	Axial intake, radial discharge from outlet.
<b>Storage</b>	Ball bearing
<b>Service life L10 at 40 °C</b>	72500 h
<b>Service life L10 at maximum temperature</b>	45000 h
<b>Cable</b>	With leads AWG 22, TR 64
<b>Motor protection</b>	Protection against reverse polarity and blocked rotor.



## Product drawing



## Curves: Air performance

